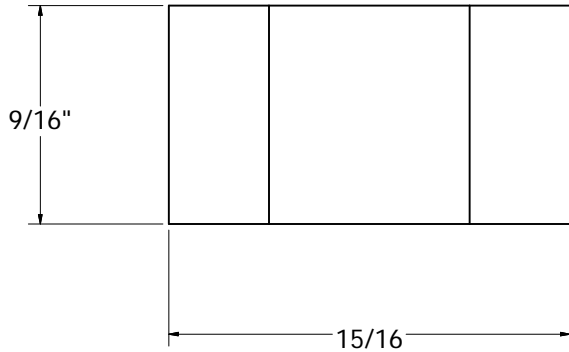
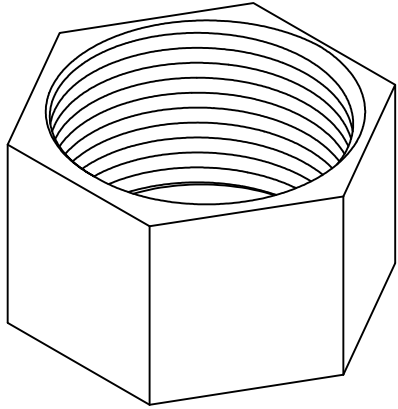
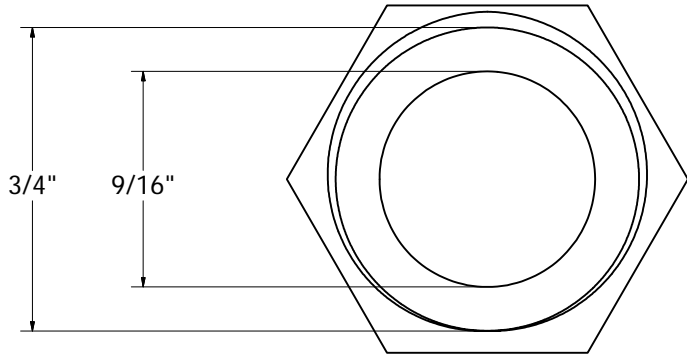



BASIN NUT



	PHONE NUMBER 1-800-355-6637	PART NO.	B10104
	FAX NUMBER 1-800-462-6991	DESCRIPTION	1/2" - 14 X 9/16" REGULAR BRASS
	SCALE _____ DATE _____ SHEET 1 OF 1	CTN/MSTR	25/1000
	DRAWN BY ASHLEY KRALOVEC		