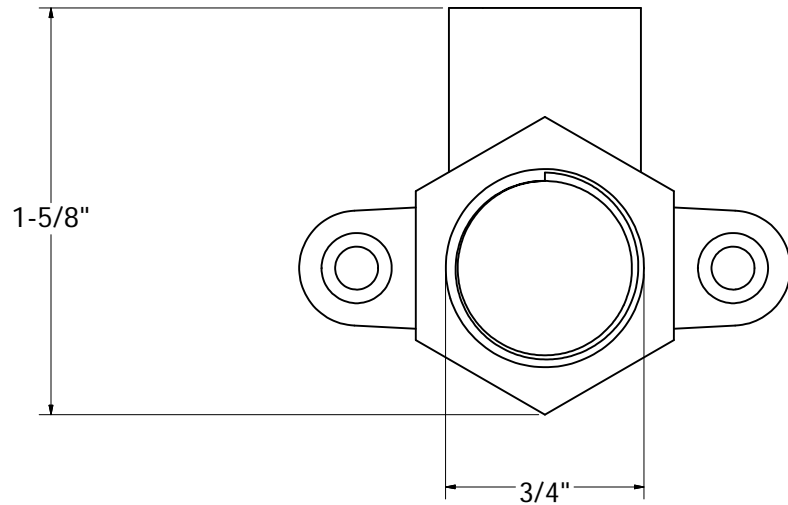
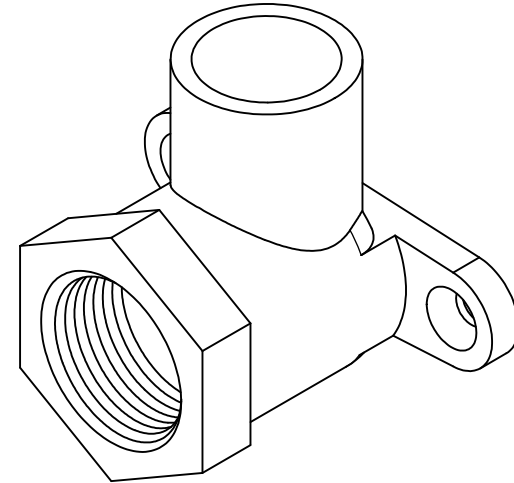
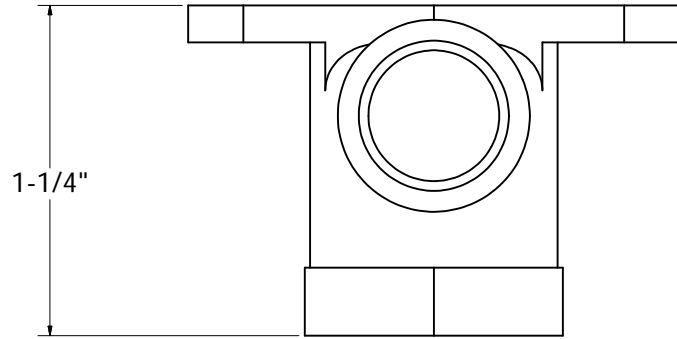


90° DROP EAR ELBOW CAST BRASS - LEAD FREE



PHONE NUMBER
1-800-355-6637
 FAX NUMBER
1-800-462-6991
 SCALE 2.5 : 1 DATE 5-02-13
 SHEET
1 OF 1
 DRAWN BY
ASHLEY KRALOVEC

PART NO.	B55050
DESCRIPTION	1/2" FIP X 1/2" FSWT
CTN/MSTR	60/240