

SPECIFICATION SUBMITTAL SHEET

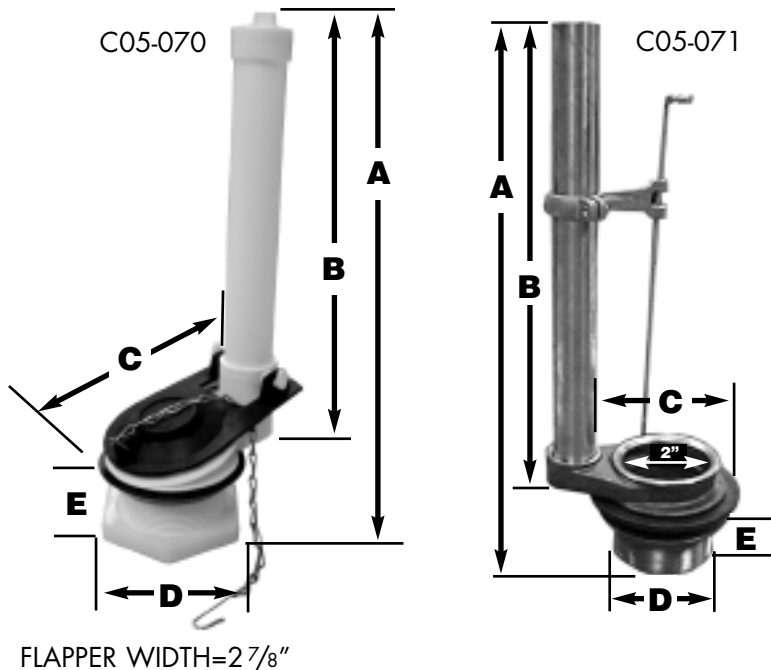
j o n e s s t e p h e n s c o r p o r a t i o n

DOUGLAS FLUSH VALVE

PART NO.(s):
C05-070, C05-071

features and benefits:

- Includes locknut, beveled washer
- Brass unit includes split guide
- Plastic unit includes flapper tank ball



This product and others like it can be found in the Jones Stephens catalog. Call today to order your catalog or download it from our website: www.plumbest.com

PART NO.	DESCRIPTION	THREAD HEIGHT				
		A	B	C	D	E
<input type="checkbox"/> C05-070	Plastic with stainless steel chain	11 1/8"	9 3/8"	3 3/4"	2 1/4"	1 1/2"
<input type="checkbox"/> C05-071	Brass	12 3/8"	10 5/8"	3 1/2"	2 3/8"	1 9/16"

jones stephens corporation
3249 moody parkway • moody, alabama 35004
toll free phone: 1-800-355-6637 • toll free fax: 1-800-462-6991
www.plumbest.com