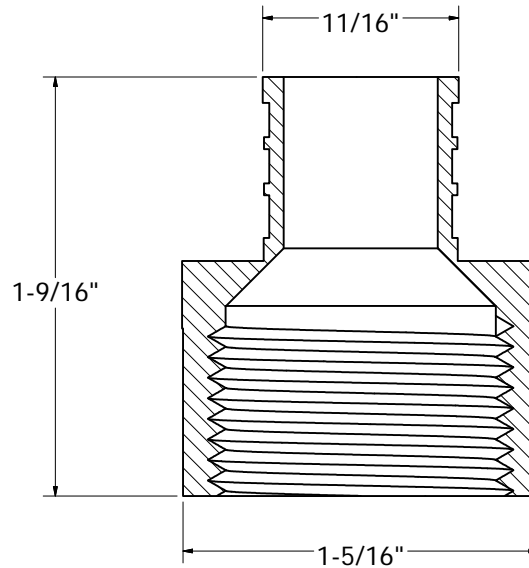
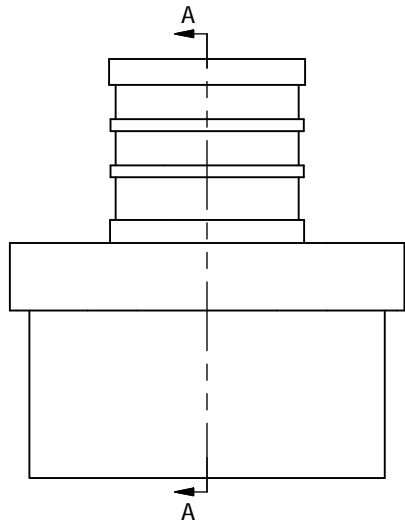
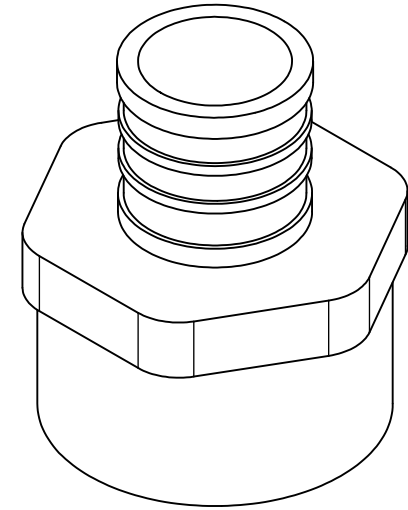
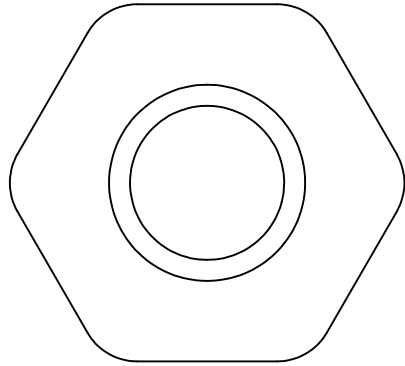


BRASS PEX X FIP FEMALE ADAPTER - PEX FITTING - LEAD FREE



SECTION A-A
SCALE 3



PHONE NUMBER
1-800-355-6637
FAX NUMBER
1-800-462-6991
SCALE 3 : 1 DATE 4-13-12
SHEET
1 OF 1
DRAWN BY
ASHLEY KRALOVEC

PART NO.

C76043LF

PEX X FIP

3/4" X 3/4"

CTN QTY

25/200