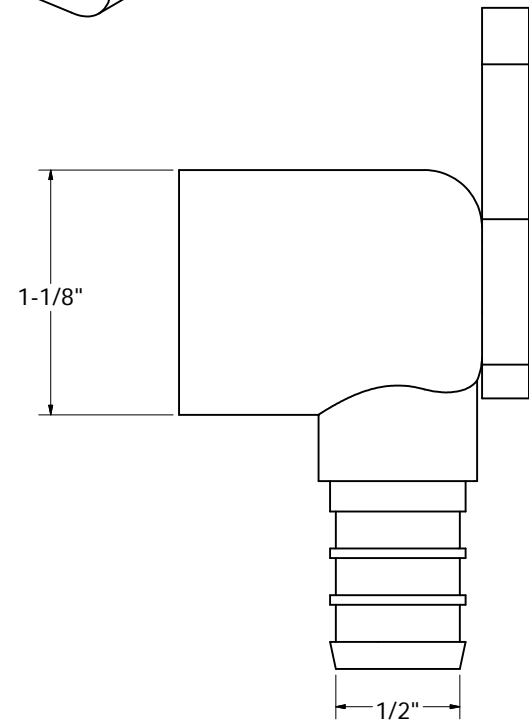
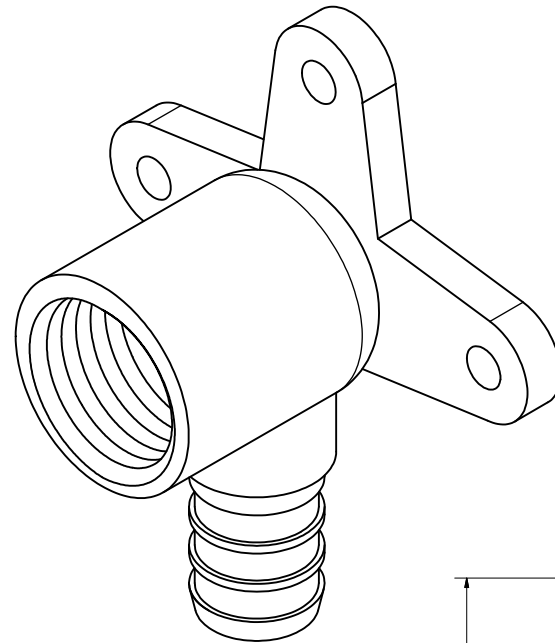
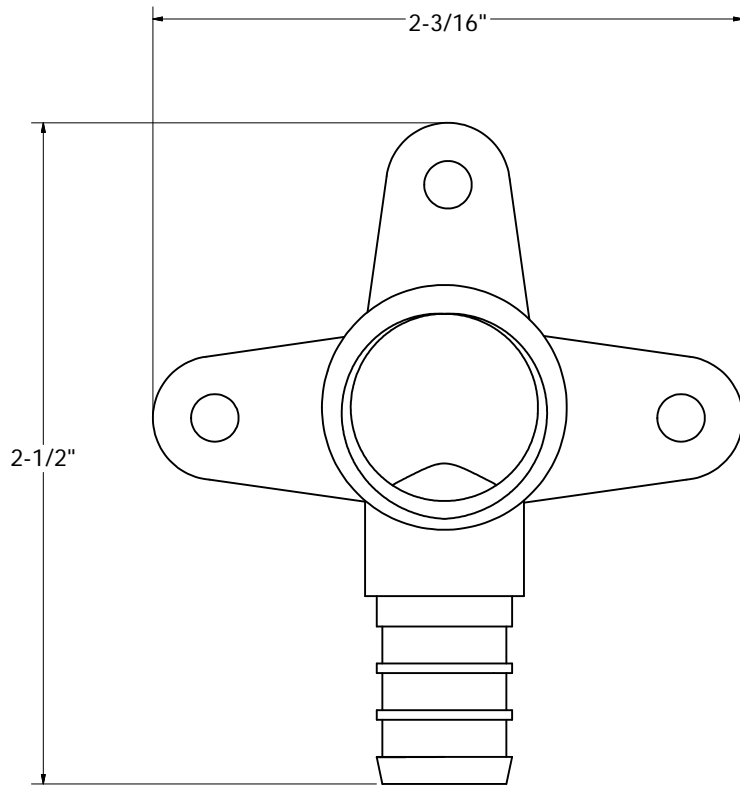


BRASS PEX X FIP DROP EAR 90° ELL - PLUMBEST - PEX FITTINGS - LEAD FREE



PHONE NUMBER
1-800-355-6637
 FAX NUMBER
1-800-462-6991
 SCALE 3 : 1 DATE 5-11-12
 SHEET
1 OF 1
 DRAWN BY
ASHLEY KRALOVEC

PART NO.

C76079LF

PEX X FIP

1/2" X 1/2"

CTN/MSTR

25/200