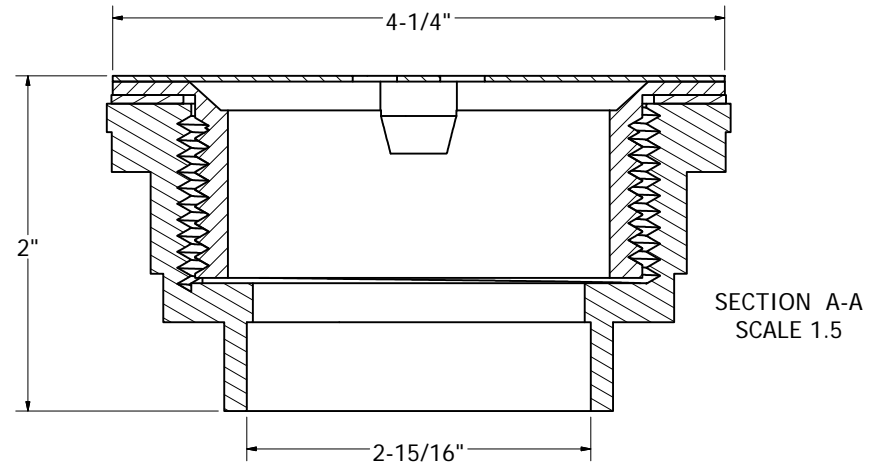
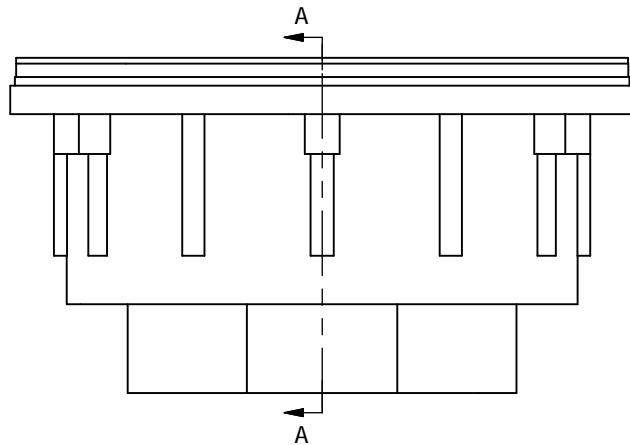
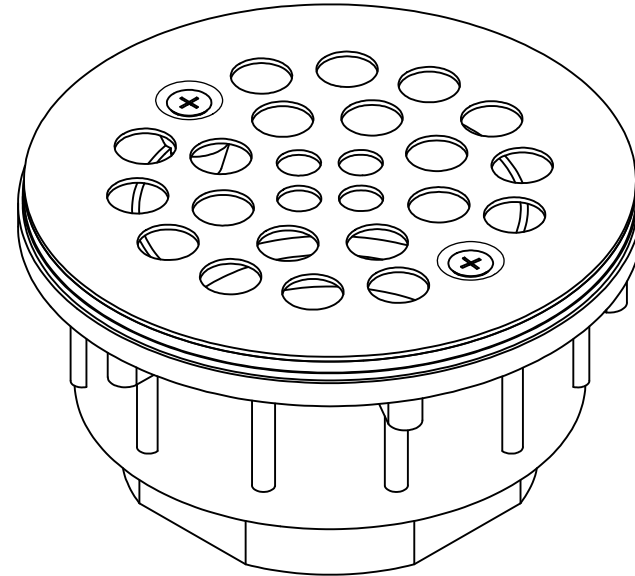
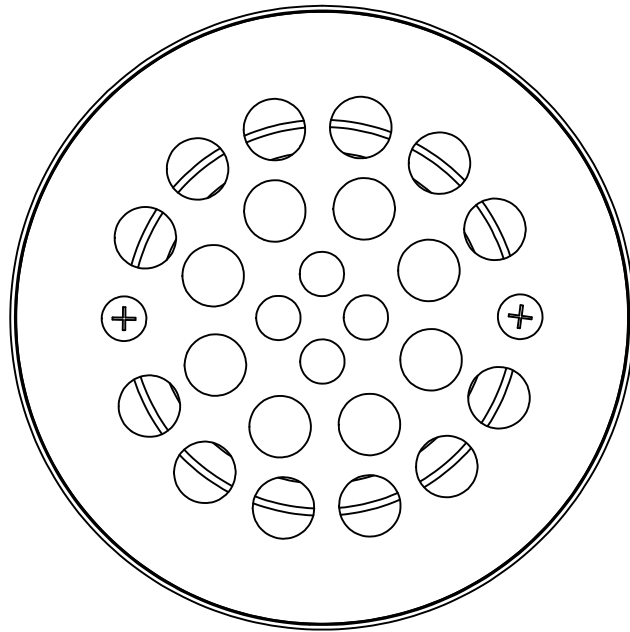


# SHOWER STALL DRAINS WITH RECEPTOR BASE FITS OVER 2" SCHEDULE 40 DWV PIPE



**MADE IN THE  
USA**



PHONE NUMBER  
**1-800-355-6637**  
FAX NUMBER  
**1-800-462-6991**  
SCALE 1.5 : 1      DATE 9-23-11  
SHEET **1 OF 1**  
DRAWN BY  
**ASHLEY KRALOVEC**

PART NO.	D41001	D41301	D41002	D41302	D41003	D41303	D41004
STRAINER	SS	SS	PB	PB	AB	AB	SN
MATERIAL	PVC	ABS	PVC	ABS	PVC	ABS	PVC