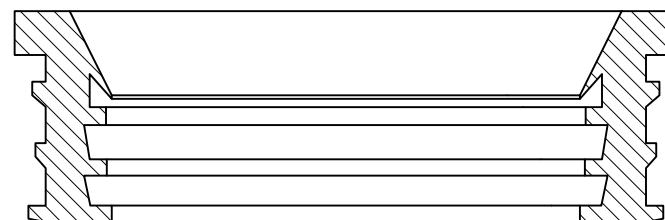
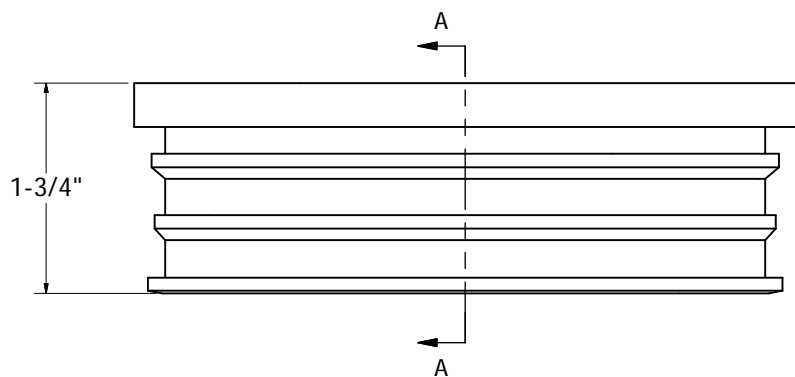
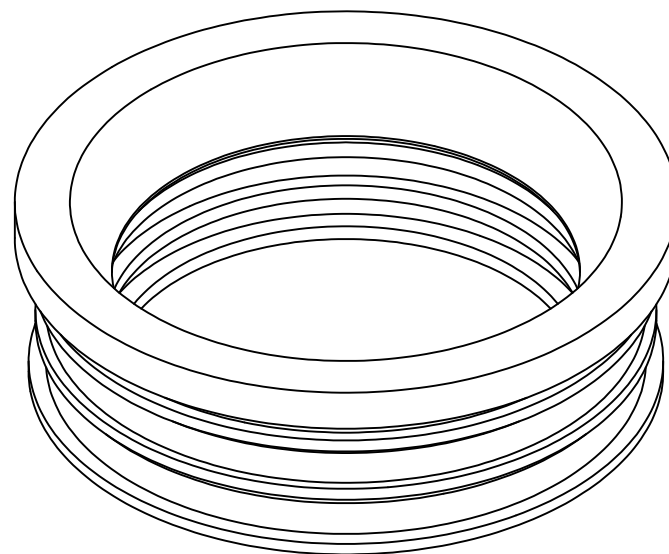
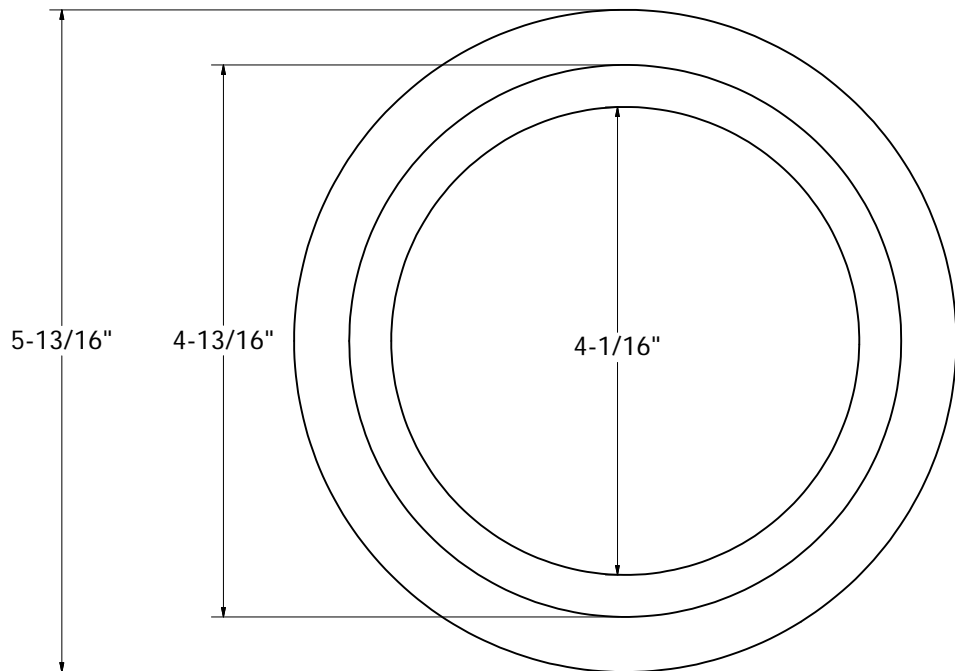


# MULTI-TITE GASKETS SERVICE WEIGHT



SECTION A-A  
SCALE 1.25



PHONE NUMBER  
1-800-355-6637  
FAX NUMBER  
1-800-462-6991  
SCALE 1.25 : 1 DATE 11/08/2013  
SHEET 1 OF 1  
DRAWN BY  
ASHLEY KRALOVEC

PART NO.

V95004

SIZE

4"

CTN QTY

60