

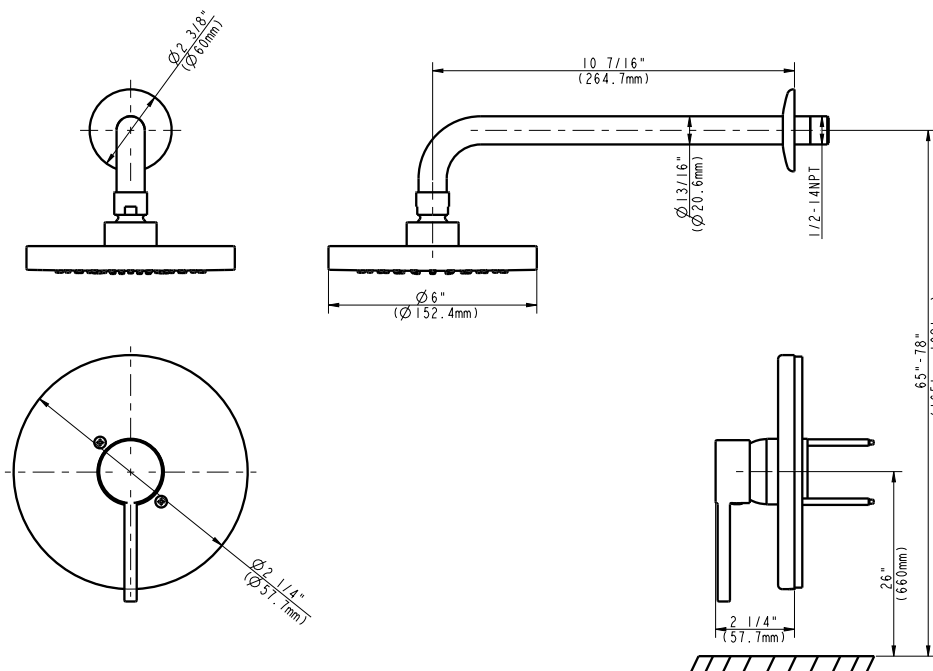
PART NO. 1559290 - CHROME PLATED
PART NO. 1559291 - BRUSHED NICKEL

SHOWER FAUCET WITH RAIN SHOWER HEAD, TRIM ONLY

- Rain shower head and shower arm
- Use with rough-in valve 1559900, 159901, or 1559902 (sold separately)
- Max Flow Rate 1.8 GPM (6.8 LPM) at 80PSI (ASME.A112.18.1M)
- Boxed
- Limited lifetime warranty

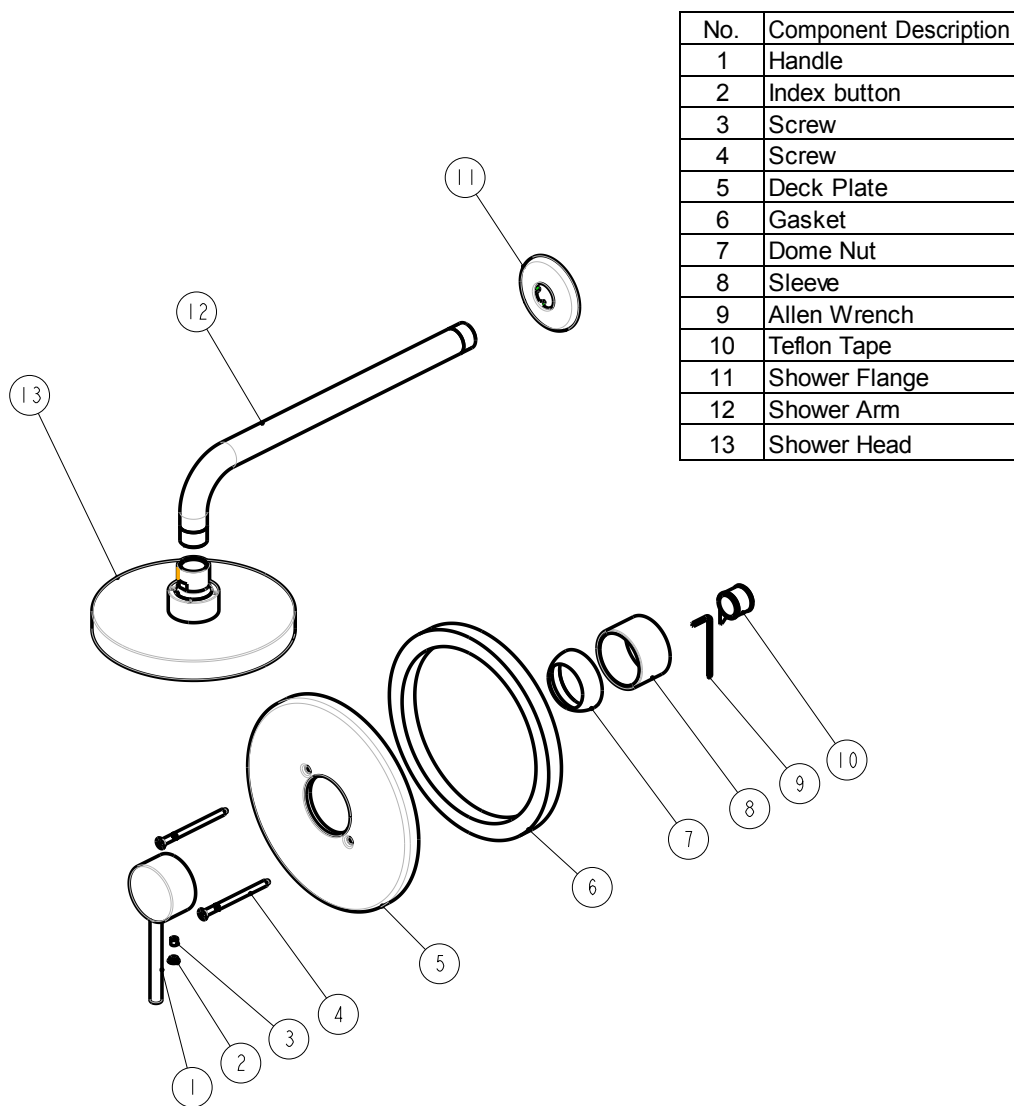
Meets or exceeds the following:

- ANSI/ASME A112.18.1M
- ANSI/NSF 61-Sec.9
- IAPMO/CUPC



PART NO. 1559290 - CHROME PLATED
PART NO. 1559291 - BRUSHED NICKEL

SHOWER FAUCET WITH RAIN SHOWER HEAD, TRIM ONLY



No.	Component Description
1	Handle
2	Index button
3	Screw
4	Screw
5	Deck Plate
6	Gasket
7	Dome Nut
8	Sleeve
9	Allen Wrench
10	Teflon Tape
11	Shower Flange
12	Shower Arm
13	Shower Head