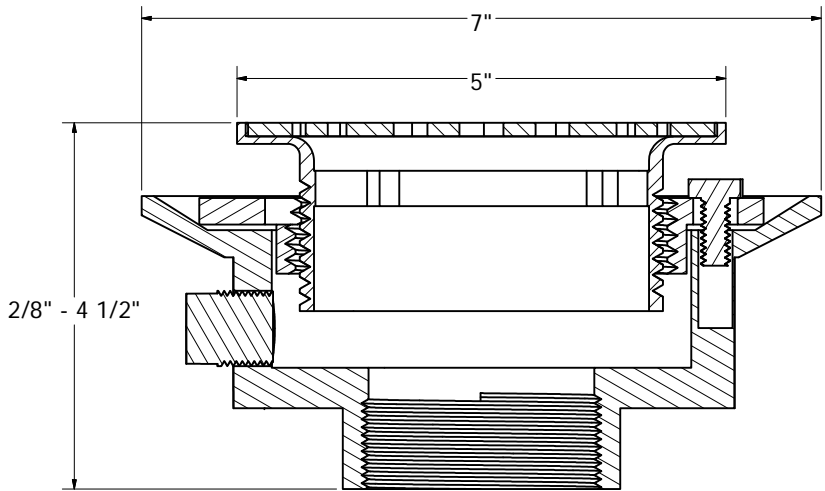
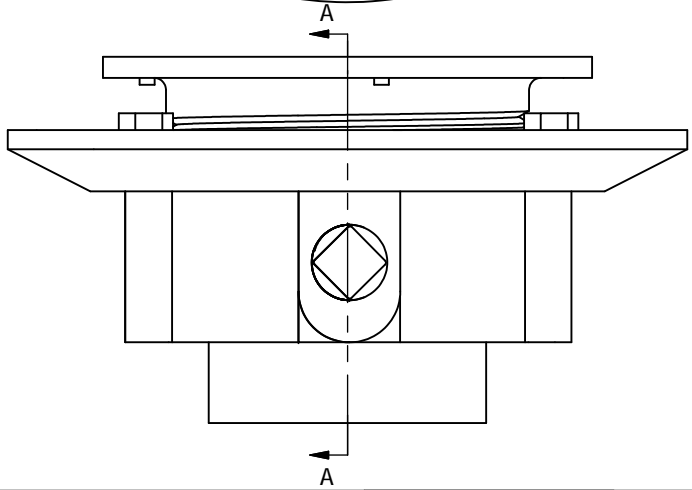
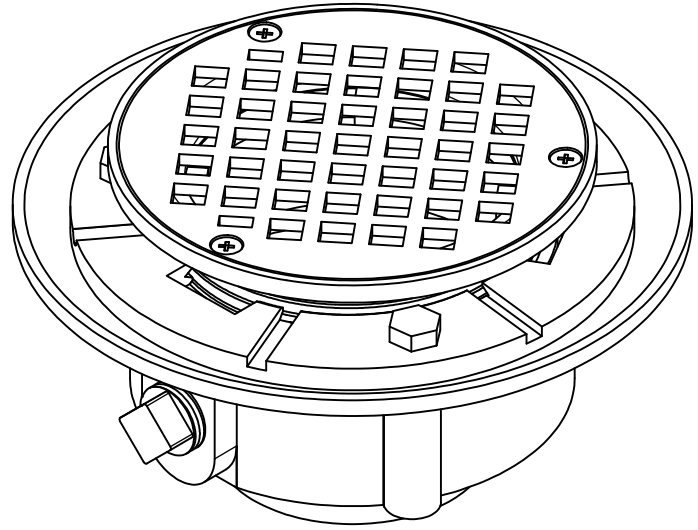
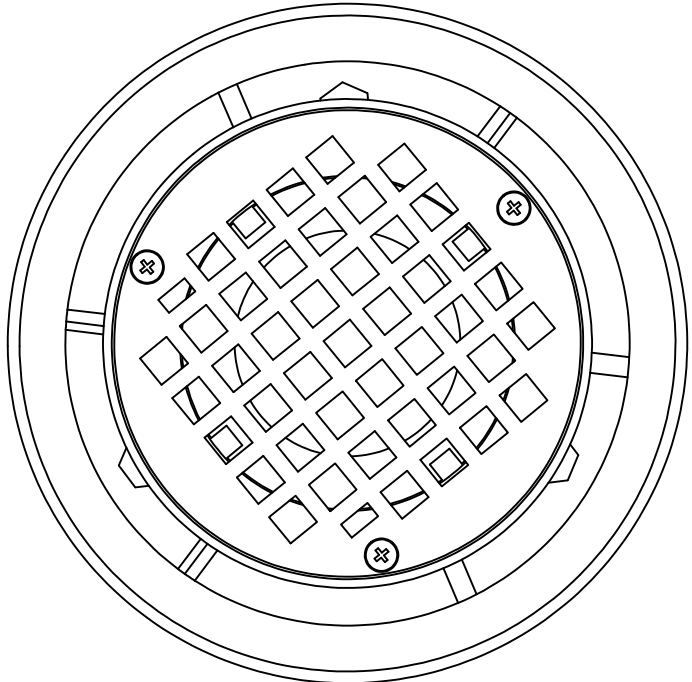


3" "CODE BLUE" NO HUB FLOOR DRAIN 3 1/2" IPS SPUDS WITH 4", 5", OR 6" ROUND STRAINER



SECTION A-A
SCALE 1 : 1



PHONE NUMBER 1-800-355-6637	PART NO.	D65580	D65581	D65582		
FAX NUMBER 1-800-462-6991	SIZE	3"	3"	3"		
SCALE 1 : 1	DATE 4-28-11	PAN	7"	7"	7"	
SHEET 1 OF 1	STRAINER	5" NB	5" PB	5" CP		
DRAWN BY ASHLEY KRALOVEC	HEIGHT	2/8" - 4 1/2"	2/8" - 4 1/2"	2/8" - 4 1/2"		